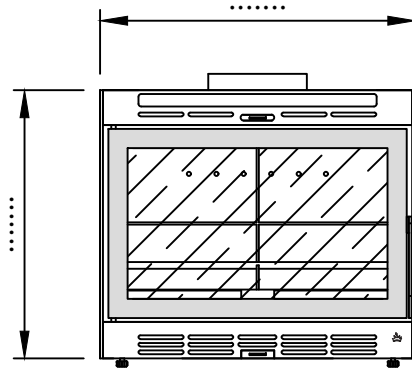
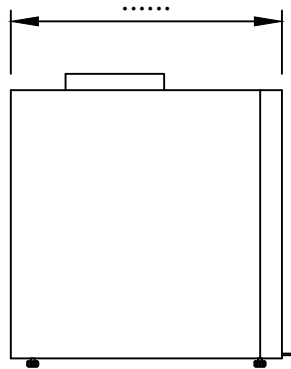
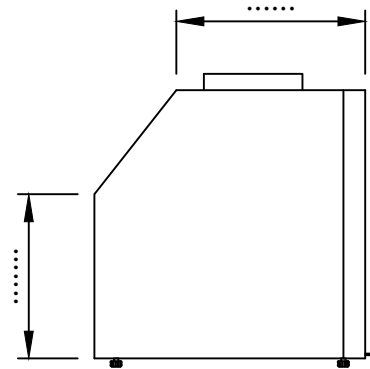
	Customer: .....	Partner stamp	<b>FLAT</b> Design : <input type="checkbox"/> Vision : <input type="checkbox"/> Insert : <input type="checkbox"/>	Notes:
	Date: .....			
	Signature: .....			



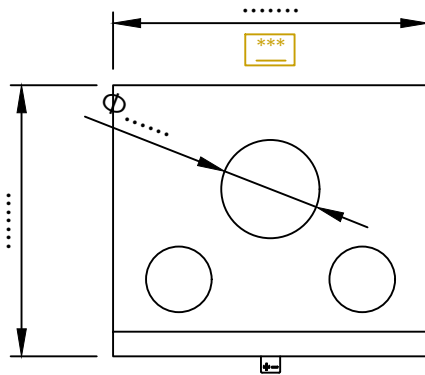
Front view



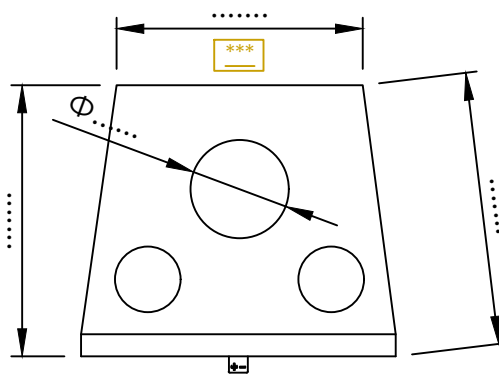
Side view\_1



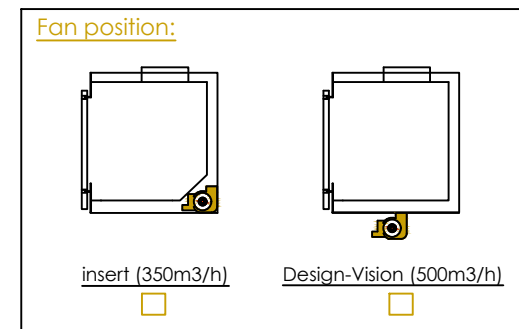
Side view\_2



Top view 1



Top view 2



\*\*\* In Insert series, the indicated dimension must be bigger or equal to 450mm.

