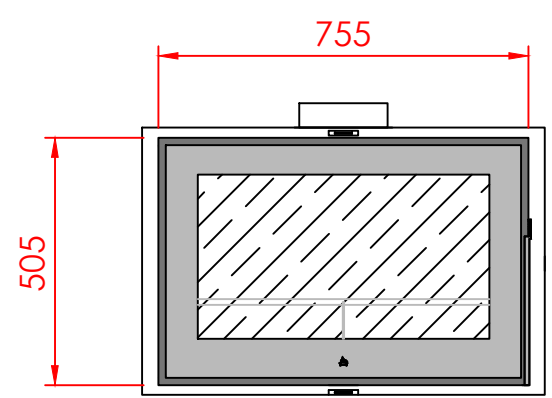
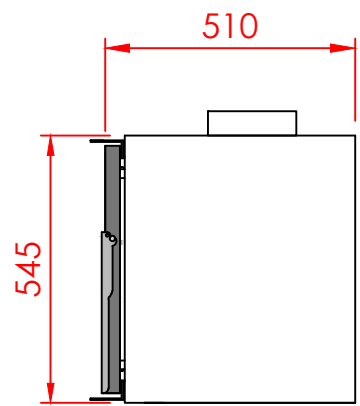


TOP



FRONT



SIDE

Series:	INSERTS
Model:	VISION
Type:	77-55
Specials:	

All dimensions in mm
 General dimension tolerances up to 7mm
 All illustrations and drawings are protected by copyright.
 Exploitation or publication, even of individual details,
 only with our permission.
 Technical changes and errors reserved.



REGAL FIRE

Nea Redestos. Thermi, 57001
 Thessaloniki GREECE
 t: +30 2310 461386 f: +30 2310 461493
 e: info@regal.com.gr
 www.tzakiaregal.gr | www.regal.com.gr