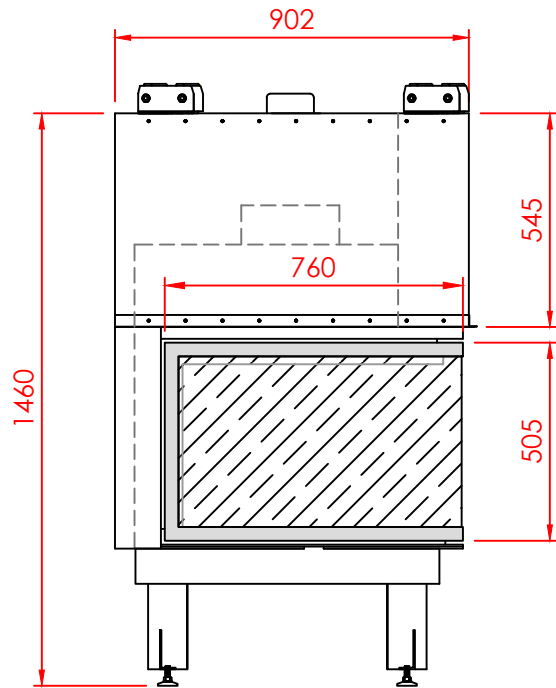
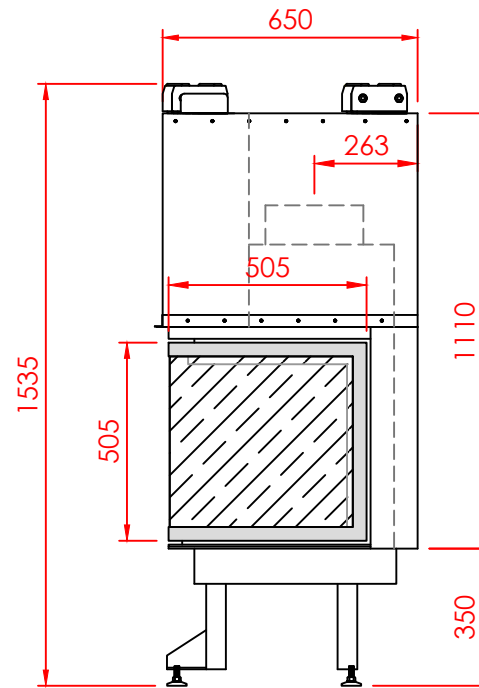


Top



Front



Side

Series:	<b>CORNER</b>
Model:	CORNER
Type:	80 L/R
Specials:	STD

All dimensions in mm  
 General dimension tolerances up to 7mm  
 All illustrations and drawings are protected by copyright.  
 Exploitation or publication, even of individual details,  
 only with our permission.  
 Technical changes and errors reserved.



Nea Redestos, Themi, 57001  
 Thessaloniki GREECE  
 t: +30 2310 461386 f: +30 2310 461493  
 e: info@regal.com.gr  
 www.tzakiaregal.gr | www.regal.com.gr

